



"The Fold-Away Workbench"

Owner's Manual

& Assembly Instructions

PATENT PENDING

Bench Solution™ Fold Down Work Bench

Model QW00

(Equipped with IdealWall wall panel)

Model QW01 (does not include wall panel)



IF ASSISTANCE WITH INSTALLATION IS NEEDED

DO NOT CONTACT THE STORE!!!

Hire a professional contractor or

CALL OUR CUSTOMER SERVICE DEPARTMENT at:

(1-866-223-6247)

Hours: 8:00am to 5:00pm Monday through Friday Central Time

Call or visit our web site

www.BenchSolution.com

Table of Contents:

Introduction	2
Safety Instructions	3
Weight Capacity.....	3
Tools Needed	3
Unpacking Instructions	3
Hardware Identifier & Parts List.....	4,5,6
Safety Instructions.....	7
Assembly Instructions.....	7
IdealWall™ Weight Capacity.....	13
Operating Instructions	14
System Maintenance	15
Warranty Information	15
Contact Information	15

Introduction:

Thank you for purchasing Bench Solution™ fold down work bench. Our **Patent Pending** design will provide a safe and durable fold down work station. With proper installation and maintenance your bench will provide you with a sturdy and spacious work station without taking up valuable floor space.

Important Safety Instructions



Warning



To Reduce the Risk of Severe Injury or Death

1. READ AND FOLLOW ALL INSTRUCTIONS
2. NEVER allow children to operate or play on or around bench.
3. NEVER place more than rated weight capacity on bench or tool storage panels.
4. ALWAYS maintain and care for system as instructed.
5. NEVER operate unless bench is properly installed and secured to wood studs.
6. SAVE THESE INSTALLATION INSTRUCTIONS.



This is a safety alert symbol. It is used to alert you to potential personal injury hazards. Obey all safety messages that follow this symbol to avoid possible injury or death.



WARNING: To ensure your safety, do not attempt to assemble this system without reading and following all instructions carefully. Identify, inventory, and sort parts using parts list. Failure to comply with any warnings or instructions may result in serious personal injury. If you do not feel you are qualified to install bench properly, you must hire a professional contractor!!!

Bench Weight Capacity: 400 lbs. This refers to a static load of 400 lbs. evenly distributed over the surface of the wooden top. It is the maximum amount of weight the work bench was designed to safely support after it is mounted to wood wall studs. *

The Bench Solution™ fold down work bench is engineered and designed for residential use. The work bench has a static load capacity of 400 lbs evenly distributed over the surface of the wooden top. To avoid damage or injury, the weight limit must not be exceeded. Any other use is not recommended and voids any liability by manufacturer.

This work bench is designed and tested to offer safe service if it is installed, operated and maintained in strict accordance with instructions and warnings contained in this manual.

TOOLS AND MATERIALS NEEDED

5/32" drill bit and 7/32" Allen Wrench (Included in fastener package)
Allen Wrench is required to tighten fasteners 17, 18, 19. Drill bit is required to pre-drill holes for item 20.

Required for Assembly (Not Included)

Drill	Level	Stud Finder
Square	9/16" wrench	Pencil
Tape Measure	9/16" & 3/8" socket	Awl (sm. finishing nail)

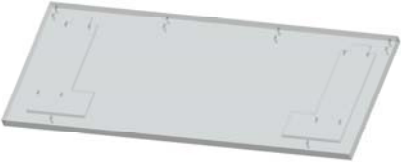



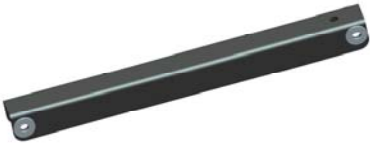



UNPACKING INSTRUCTIONS:

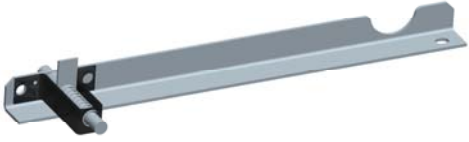







Separate all parts from packaging materials and check each item with parts list found on pages 4,5,& 6. If any parts or fasteners are missing do not proceed with assembly and contact Bench Solution immediately. 1-866-223-6247.















Make sure **all** items are accounted for before discarding any packing materials.

* For alternate mounting methods go to www.BenchSolution.com or call 1-866-223-6247

HARDWARE IDENTIFIER & PARTS LIST

ID	PART#	DESCRIPTION	QTY	✓	VISUAL Illustrations are for visual purposes only and do not represent actual size or color of parts or fasteners.
1	BS000058	Hardwood Top	1		
2	BS000075	Hinge	3		
3	BS000077	Horizontal Wall Bracket	1		
4	BS000059	Vertical Wall Brackets	2		
5	BS000040	Lower Leg Assembly	2		
6	BS000041	Upper Leg Assembly	2		
7	BS000079	Right Frame	1		
8	BS000080	Left Frame	1		

ID	PART#	DESCRIPTION	QTY	✓	VISUAL Illustrations are for visual purposes only and do not represent actual size or color of parts or fasteners.
9	BS000108	Right Frame w/safety	1		
10	BS000107	Left Frame w/safety	1		
11	BS000105	Right Handle	1		
12	BS000106	Left Handle	1		
FASTENERS					
13	BS000112 (Model QW00)	Wall Panel Fastener	40		
14	BS000061	3/8 x 2 1/2" Bolt	2		
15	BS000062	3/8 x 3" Bolt	2		
16	BS000063	3/8 x 3 3/8" Bolt	2		

ID	PART#	DESCRIPTION	QTY	✓	VISUAL Illustrations are for visual purposes only and do not represent actual size or color of parts or fasteners.
17	BS000064	3/8 x 2 1/4" Flat Head Screw	6		
18	BS000065	3/8 x 1 1/2" Flat Head Screw	8		
19	BS000066	3/8 x 3 1/4" Flat Head Screw	2		
20	BS000067	Hex Head Lag Screw	8		
21	BS000068	Self-lock Hex Nut	24		
22	BS000070	3/8" Flat Washer	8		
23	BS000110	1/4 " Flat Washer	8		
24	BS000071	1/2" x 9/16" Hex Bolt	2		
25	BS000086	Handle Spacer	2		
26	BS000088	End Cap for Wall Bracket	2		
27	BS000087 (Model QW00)	Wall Panel	3		
28	BS000111 (Model QW00)	Wall Panel Trim	2		
29	BS000113	7/32" Allen Wrench (used to tighten 17,18,&19)	1		
30	BS000114	5/32" drill bit. Use to pre-drill holes for item 20	1		



Safety Instructions

FAILURE TO READ AND FOLLOW INSTRUCTIONS MAY RESULT IN SERIOUS INJURY OR PROPERTY DAMAGE AND WILL VOID WARRANTY.

Owner must ensure that bench hardware remains secure for safe and proper operation of bench folding mechanism.

To ensure safety, do not attempt to assemble this system without reading and following instructions carefully. Check entire box and inside all packing material for parts and/or additional instruction material. Proper and complete assembly is essential for proper installation and will reduce risk of accident or injury. A high probability of risk or injury exists if system is not installed, maintained and operated properly.

Most injuries are caused by misuse and/or not following instructions.

ASSEMBLY INSTRUCTIONS

BEFORE BEGINNING ASSEMBLY

Identify and inventory all parts using checklist on parts lists. If any parts are missing, call Customer Service Department before proceeding with installation.



WARNING: This workbench is to be securely mounted to wood wall studs * on a flat vertical wall with properly spaced wood wall studs.* The wood wall studs * must be capable of supporting significant weight and be able to accommodate the Fold Away Workbench.

Stud spacing must be 16" or 24" stud center. Horizontal Wall Bracket has mounting 4 holes to accommodate 16" and 3 holes to accommodate 24" spacing. Illustrations show views of wood wall studs * for visual purposes only. Bench can be mounted to wood studs * in a finished wall.

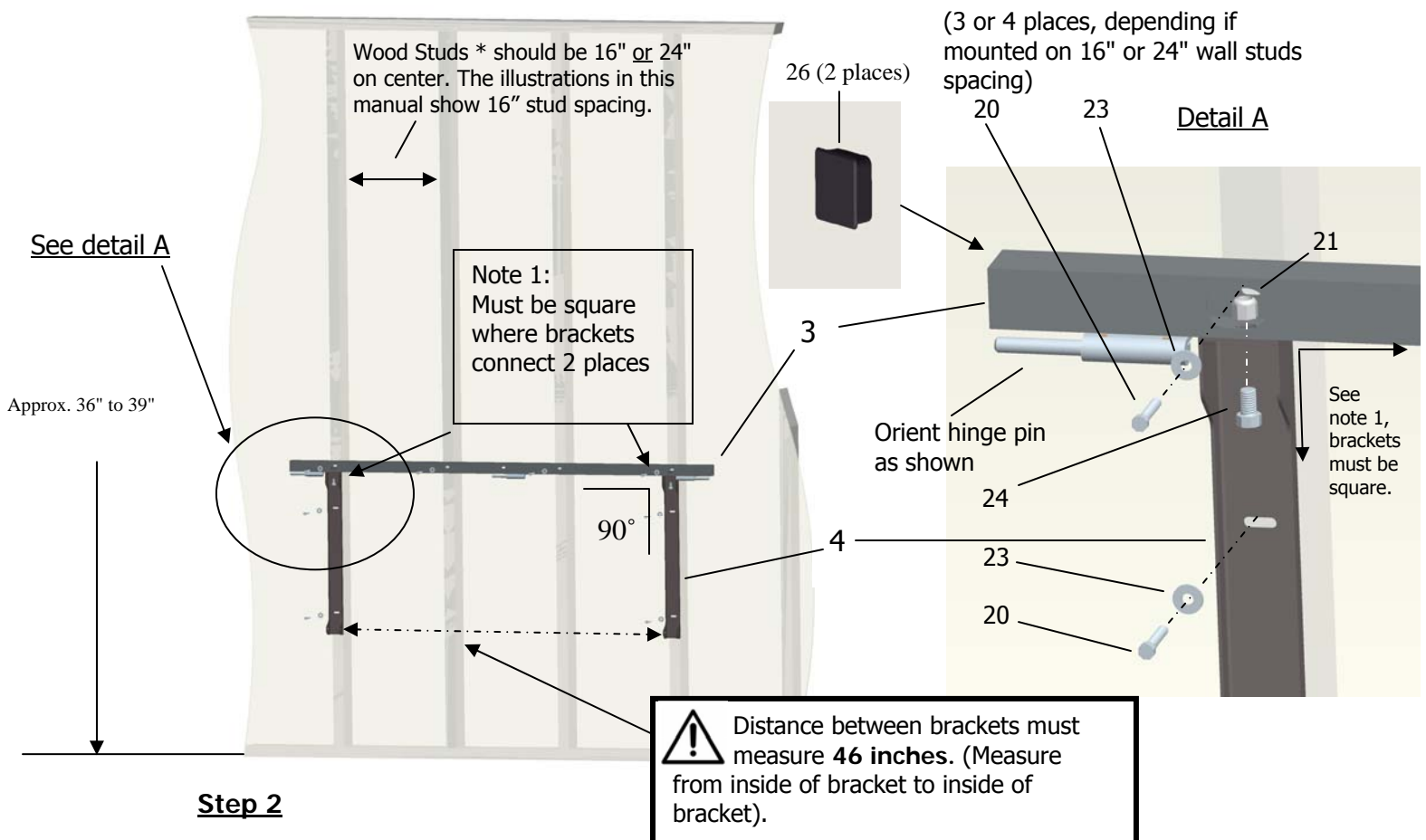
Bench is only warranted if properly mounted to **wooden wall studs** * with hardware provided. Any other assembly not covered in these instructions or alternate instructions provided on web-site is considered a custom installation and therefore relieves the manufacturer of any liability of injury.

Read and Understand all Instructions, Notes, Warnings and Cautions before Beginning

* For alternate mounting methods go to www.BenchSolution.com or call 1-866-223-6247

Step 1

Determine desired height of workbench surface on wall (approximately 36" to 39" from the floor). Mark desired height on wall to designate placement of Horizontal Wall Bracket 3 (mounting holes will be approximately $\frac{3}{4}$ inch lower than desired surface height). Use a stud finder to locate wood wall studs * and mark locations. It is recommended that you use an awl or a finishing nail to ensure stud location. Pre-drill holes into stud center using $\frac{5}{32}$ " drill bit. Locate Horizontal Wall Bracket 3, add end caps 26, and secure into wood studs * using 20 and 23, **taking care to level bracket.** **If Horizontal Wall Bracket is not level the leg assembly will not operate properly.**



Step 2

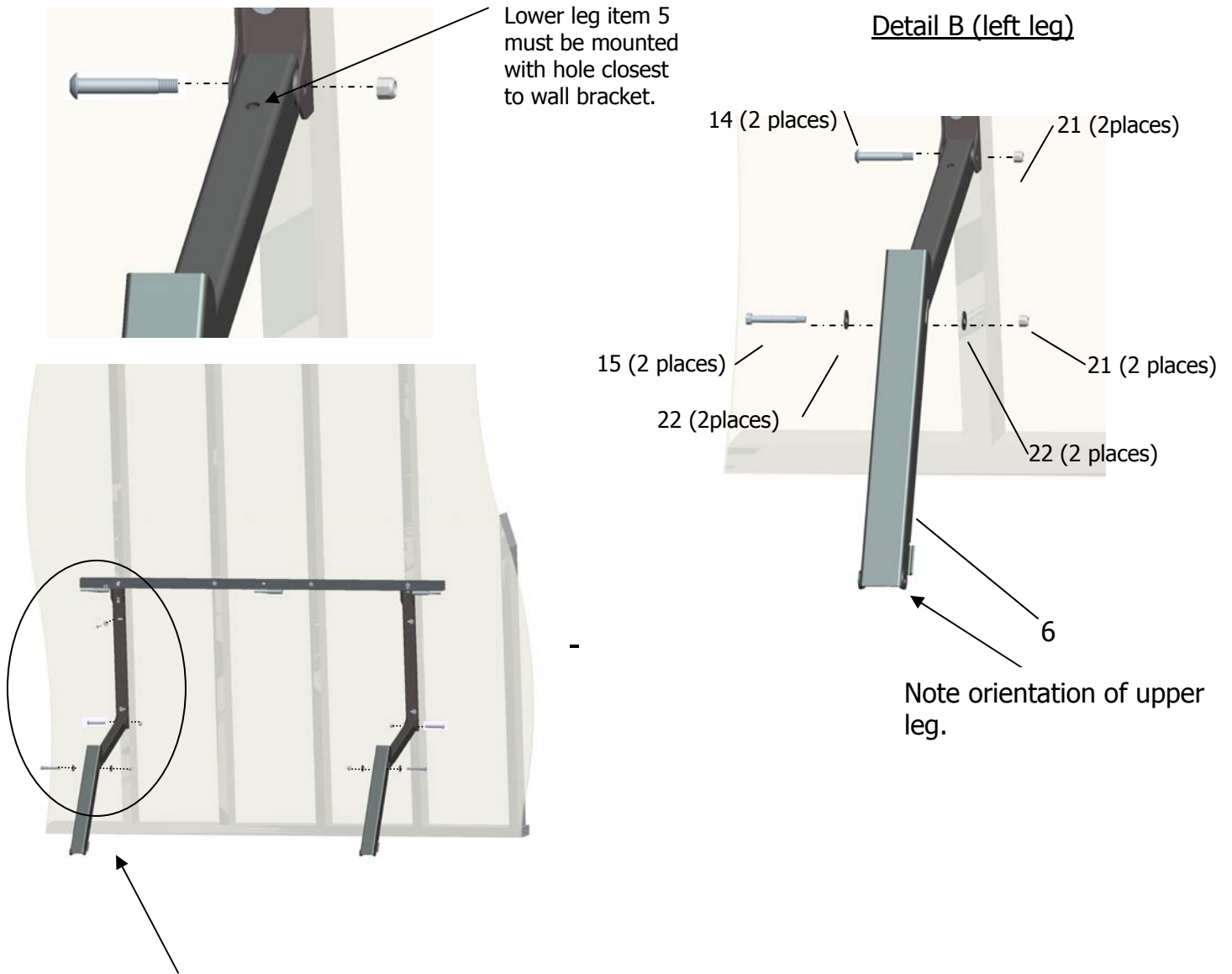
Locate Vertical Wall Brackets 4 and attach to horizontal wall bracket using 21 and 24 as shown in Detail A. Do not fully tighten nut until hardware attaching the bracket into the wood wall studs * is in place and bracket is positioned vertically. Pre-drill holes in studs. Secure brackets to wood wall stud * using 20 and 23, **two places per bracket.** Tighten all hardware including 24 and 21.

Note 1: Vertical Wall Brackets must be aligned in a vertical position and square with Horizontal Wall Bracket to ensure Leg Assembly Operates Properly.

* For alternate mounting methods go to www.BenchSolution.com or call 1-866-223-6247

Step 3

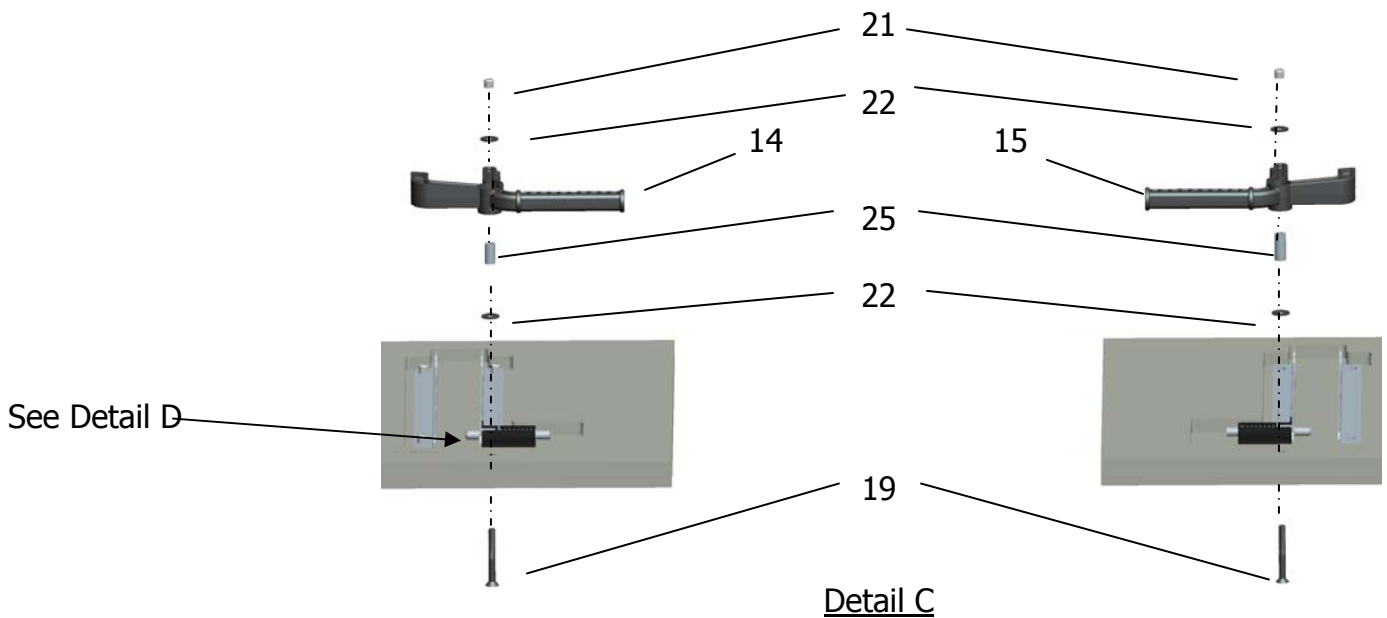
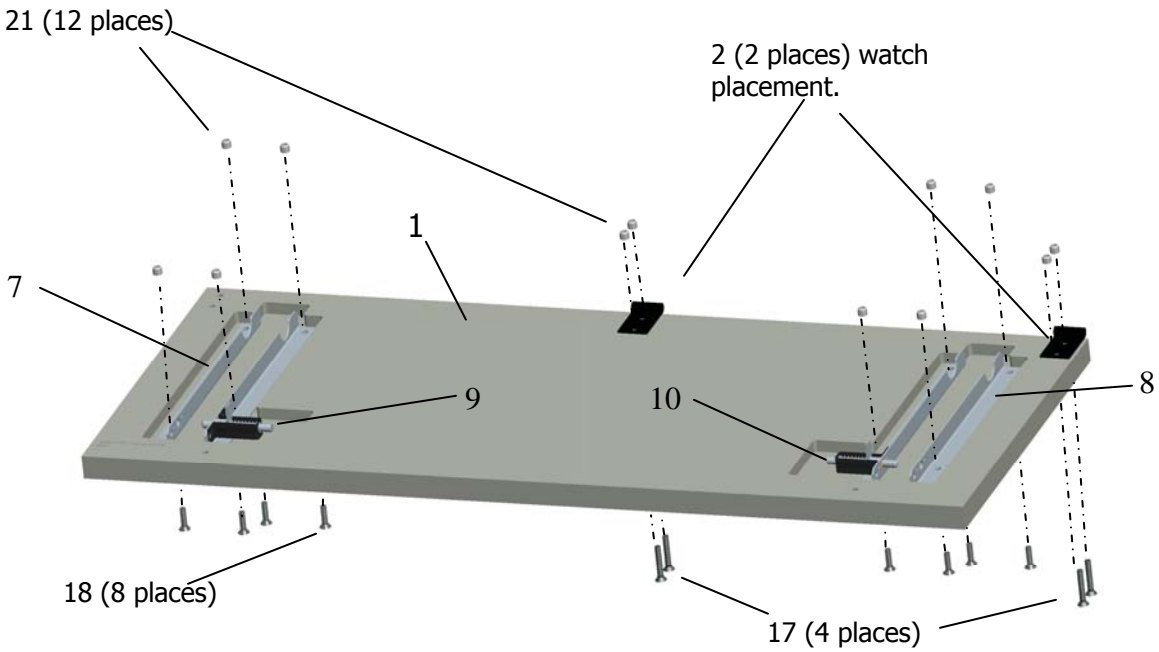
Locate lower leg assembly 5. Orient lower leg assembly as shown in Detail B, attach to vertical wall bracket using 14 and 21. Attach remaining lower leg assembly by repeating this step. Fasteners must be oriented as shown. The nut must be inserted from "inside" of bench on both legs.



Locate the upper leg 6 and orient as shown in Detail B. Line up mounting holes as shown with lower leg resting in upper leg. Attach upper leg to lower leg using 15, 21 and 22. *Leg assembly to remain unattached from wood top until after Step 6.*

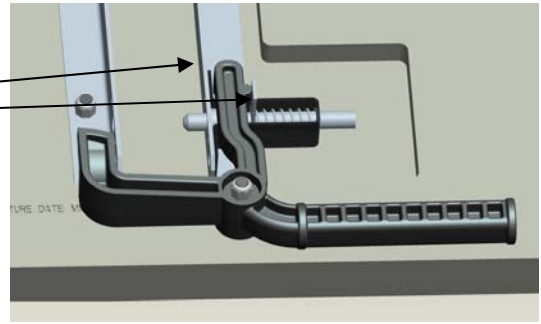
Step 4

Locate wooden top 1. Attach two hinges 2 to top where shown using 17 and 21. The third hinge is used as a "locking" hinge and will be fastened after top is mounted to wall bracket. Attach frames 7, 8, 9, and 10 to wood top as shown using 18 and 21. Parts are not interchangeable and must be oriented as shown. Attach handles as shown in Detail C & D.



When mounting handles, retract safety pin to allow handle to rest between frame and pin plate.

Detail D



Step 5

Attach top to Horizontal Wall Bracket by sliding hinges into place. Wood top weighs approximately 46 lbs. (For ease of assembly it is recommended that two adults perform this step).

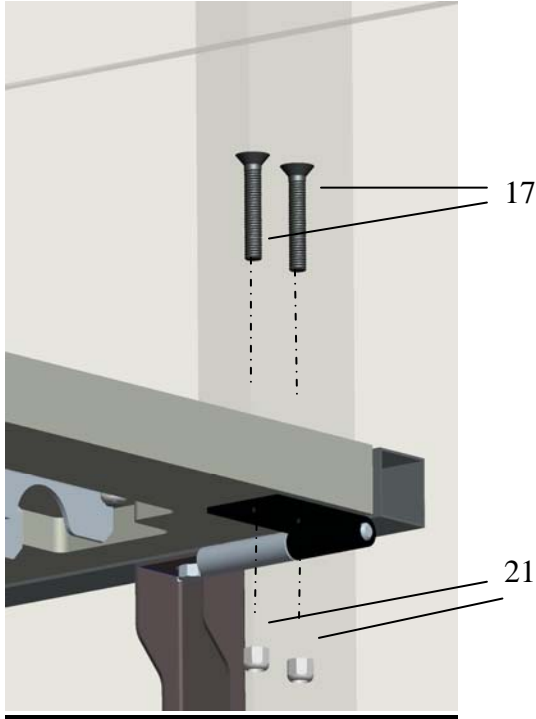
Align hinges with hinge pins and slide into place.



Warning: During assembly and after completed assembly these locations will create pinch points when lowering bench top into fold down position. To avoid injury clear these areas before performing this operation.

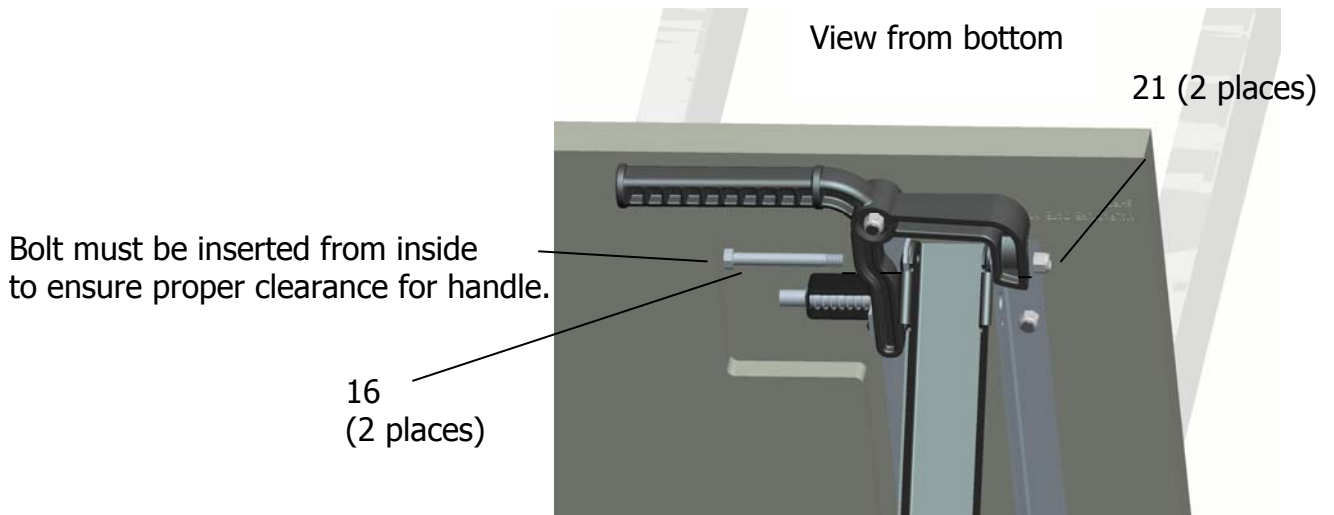
Step 6

Slide locking hinge 2 on to hinge pin and secure into place using 17 and 21.



Step 7

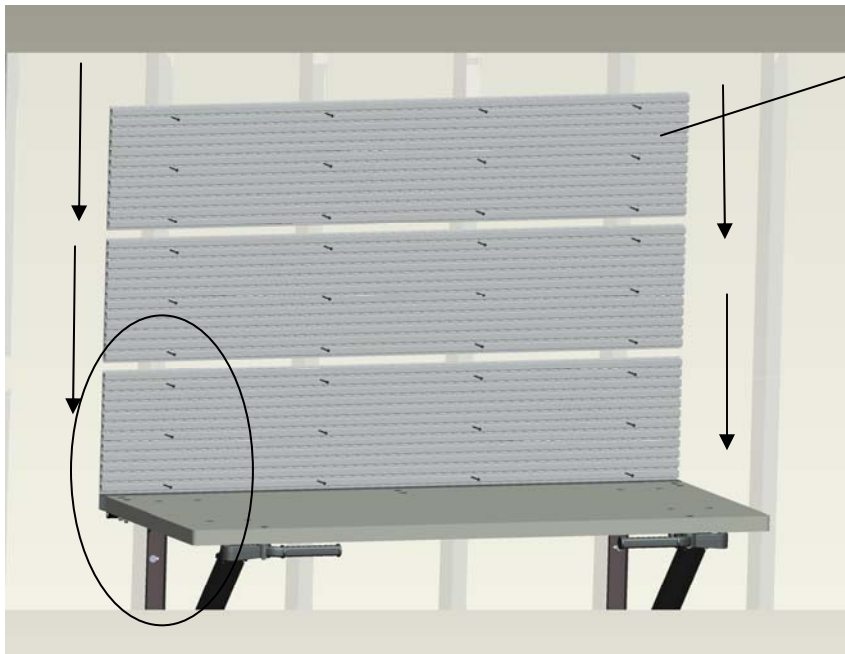
Attach leg assembly to bench top by first supporting bench top in an upright position away from wall. Align mounting holes on upper leg with mounting holes in frames. (Depending on position of bench top, you may have to retract safety pin to provide clearance for leg). Secure leg assembly to frame using 16 and 21. Repeat this step with remaining leg.



Step 8 (Model QW00 includes wall panel)

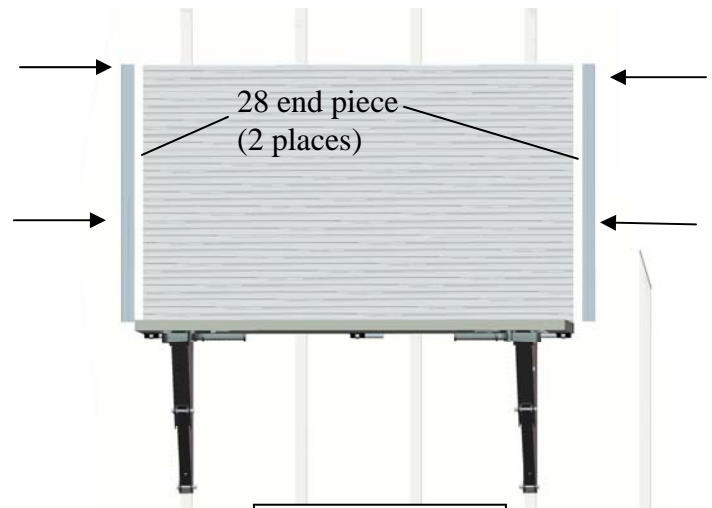
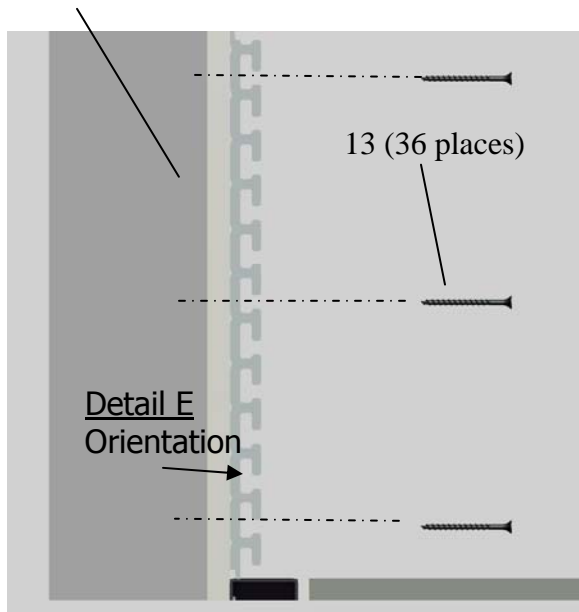
If you are installing Model QW01 proceed to page 14 operating instructions.

Locate IdealWall™ panels 27 and position each unit above bench, orient as shown in Detail E and secure into place, driving fastener 13 into wood studs.* For maximum load capacity, secure each panel using 12 fasteners per unit.



IdealWall™ is designed to support standard hand tools. Hanging objects heavier than suggested, will result in damage of material and could cause injury, and will void manufacturer warranty. For maximum load capacity drive all fasteners into wood studs* as shown in illustrations.

See Detail E (Side view)



* For alternate mounting methods go to www.BenchSolution.com or call 1-866-223-6247

Operating instructions:



Failure to follow operation instructions can cause death or injury!!

To lower bench into fold down position:

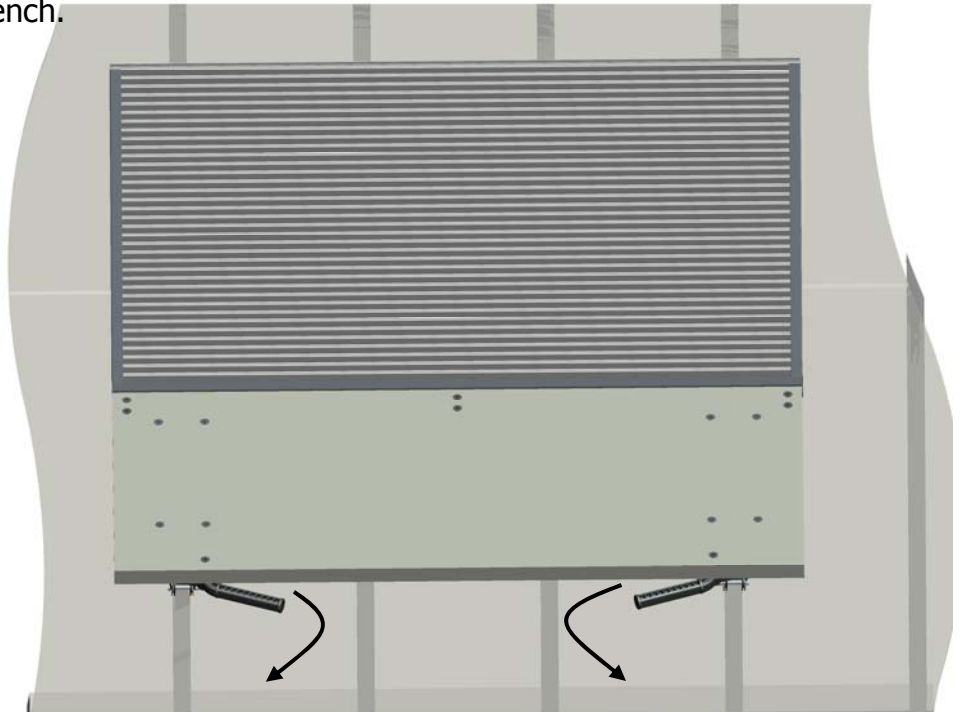
1. Ensure bench top is clear of any items.
2. Ensure area below bench is clear of people, pets and property.
3. Stand in front of bench and be prepared to support the 46 lb. hardwood top. **CAUTION: Do not allow bench to free fall to wall.**
4. Grasp both handles simultaneously, pull towards you. This action allows safety pins to clear frames, legs will buckle to allow bench to be lowered into fold down position. **WARNING:** This action creates pinch points. Lower top gradually.

To raise bench to upright position:

WARNING: Legs contain pinch points.

1. Stand in front of bench, grasp bench top and lift top into upright horizontal position until legs lock securely into place.
2. **WARNING:** Check to ensure legs are fully locked and safety pins are in place before using bench.

When properly mounted to wood wall studs,* Bench Solution™ Fold Down Work Bench is designed to support a 400lb static load evenly distributed over the 24 inch x 60 inch wooden work surface. Placing more than 400lbs on bench top may cause bench to disengage from wall causing personal injury or property damage. **Never place more than 400 lbs on bench top!!**



If workbench does not operate properly, you must contact customer service department before attempting to use.
CUSTOMER SERVICE (1-866-223-6247) www.BenchSolution.com

* For alternate mounting methods go to www.BenchSolution.com or call 1-866-223-6247

System Maintenance:

The life of your Bench Solution™ fold down work bench depends on many variables. The climate, exposure to chemicals and **excessive use or misuse** can contribute to the deterioration of the wood surface. While the wood surface is durable and is designed to withstand normal conditions, proper maintenance will extend the life of your bench. As a consumer and Bench Solution owner, you **must** take the following preventive measures:

1. Check bench for loose hardware, excessive wear, and signs of corrosion.
2. Check all Nuts and Bolts once a month. If any are loose, tighten them.
3. Check all parts for excessive wear and tear. If necessary, replace any parts or hardware that have been worn or damaged through usage. Contact our Customer Service Department for **all replacement parts and fasteners.**

Bench Solution™ Fold Down Work Bench Warranty

ONE-YEAR LIMITED WARRANTY

WARRANTY: Bench Solution™ manufactured by Bench Solution Inc. is warranted to be free from defects in material and workmanship for 12 months from the date of the original purchase by the original purchaser, with proof of purchase. In the unlikely event that we deem the product to be defective, Bench Solution Inc. will be responsible for replacement of the defective part ONLY. No cost for labor or installation will be reimbursed. Damages due to shipping and handling, improper installation, abuses (intentional or accidental) or normal wear and tear are NOT covered by this warranty. There are no other guarantees or warranties, implied or expressed beyond the terms of this expressed written warranty.

The proper operation of this product is dependent on the compliance with the Owner's Manual and Assembly Instructions regarding proper installation and operation and maintenance. Failure to comply strictly with those instructions will void the warranty in its entirety.

You must retain your original receipt or order number to be covered by warranty.

To register your warranty, please visit our web-site @ <http://benchsolution.com/WarrantyRegistration.html> or complete enclosed post card.

Contact Information: Customer Service 1-866-223-6247

Web-Site: www.BenchSolution.com



"The Fold-Away Workbench"

"El banco de trabajo plegable"

Manual del propietario

e instrucciones de ensamblado

PATENTE PENDIENTE

Bench Solution™ Banco de trabajo plegable

Modelo QW00

(equipado con panel de pared)

Modelo QW01 (pared de panel no esta incluido)



SI REQUIERE ASISTENCIA CON LA INSTALACIÓN

¡¡¡NO SE PONGA EN CONTACTO CON LA TIENDA!!!

Llame a un contratista profesional o

LLAME A NUESTRO DEPARTAMENTO DE SERVICIO AL CLIENTE al:

(1-866-223-6247)

Horas: 8:00 a.m. a 5:00 p.m. de lunes a viernes horario central

Llámenos o visite nuestro sitio Web

www.BenchSolution.com

Contenido:

Introducción.....	2
Instrucciones de seguridad.....	3
Capacidad de peso.....	3
Herramientas necesarias.....	3
Instrucciones de desempacado.....	3
Identificador de la tornillería y lista de piezas.....	4,5,6
Instrucciones de seguridad.....	7
Instrucciones de ensamblado	7
Capacidad de peso de IdealWall™.....	13
Instrucciones de operación.....	14
Mantenimiento del sistema.....	15
Información de la garantía.....	15
Información de contacto.....	15

Introducción:

Gracias por adquirir el banco de trabajo plegable Bench Solution™. Nuestro diseño de **patente pendiente** le proporcionará una estación de trabajo plegable, segura y duradera. Con una instalación y mantenimiento adecuados, su banco le proporcionará una estación de trabajo sólida y espaciosa sin ocupar valioso espacio en el piso.

Instrucciones de seguridad importantes



AVERTENCIA



Para reducir el riesgo de lesiones graves o muerte

1. LEA Y SIGA TODAS LAS INSTRUCCIONES
7. NUNCA permita que los niños operen el banco o jueguen en él o a su alrededor.
8. NUNCA coloque en los paneles del banco ni del almacenamiento de herramientas más de la capacidad de peso indicada.
9. SIEMPRE cuide y mantenga el sistema como se indica.
10. NUNCA lo haga funcionar a menos que el banco esté debidamente instalado y fijado en postes de madera.
11. GUARDE ESTAS INSTRUCCIONES DE INSTALACIÓN.



Éste es un símbolo de advertencia de seguridad. Lo usamos para informarle de peligros que pueden causar daños personales. Observe todos los mensajes subsiguientes a éste símbolo para evitar riesgos de

ADVERTENCIA: Para garantizar su seguridad, no intente ensamblar este sistema sin leer y seguir cuidadosamente todas las instrucciones. Identifique, inventaríe y clasifique las piezas utilizando la lista de piezas. No cumplir cualquiera de las advertencias o instrucciones puede dar como resultado una grave lesión personal.

iii Si no se siente calificado para instalar el banco correctamente, debe llamar a un contratista profesional!!!

Capacidad de peso del banco: 400 lbs. Se refiere al peso fijo de 400 lbs. distribuido igual sobre el superficie de la tapadera de madera. Esto se refiere a la cantidad máxima de peso que el banco de trabajo se ha diseñado para soportar con seguridad después de instalarlo en montantes de madera de la pared. *

El banco de trabajo plegable Bench Solution™ está fabricado y diseñado para uso residencial. El asiento tiene el capacidad de 400 lbs. distribuido igual sobre el superficie de la tapadera de madera. Para evitar daños o lesiones, no se debe superar el límite de peso. No se recomienda ningún otro uso, que además anulará cualquier responsabilidad del fabricante.

Este banco de trabajo está diseñado y probado para ofrecer un servicio seguro si se instala, opera y mantiene ajustándose estrictamente a las instrucciones y advertencias contenidas en este manual.

HERRAMIENTAS Y MATERIALES NECESARIOS

Broca de 5/32" y llave Allen de 7/32" (incluida en el paquete de sujeciones)
La llave Allen se requiere para apretar los sujetadores 17, 18, 19. La broca se requiere para perforar previamente los orificios para el artículo 20.

Se requiere para el ensamblado (no incluidos)

Taladro	Nivel	Localizador de montantes
Escuadra	Llave de 9/16"	Lápiz Llave de 9/16"
Cinta métrica	Copas de 9/16" y 3/8"	
Lezna (clavo de acabado pequeño)		

Asegúrese de que se encuentren **todos** los elementos antes de deshacerse de cualquier material de empaque.

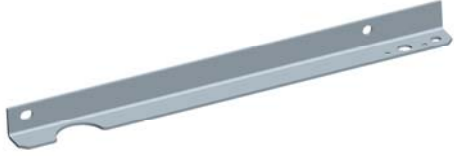
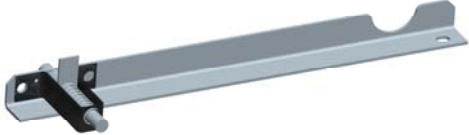







INSTRUCCIONES DE DESEMPACADO:















Separe todas las piezas de los materiales de empackado y compruebe cada artículo con la lista de piezas que se encuentra en las páginas 4, 5 y 6. Si falta cualquier pieza o sujetador, no proceda con el ensamblado y comuníquese con Bench Solution™ inmediatamente al: 1-866-223-6247.

*Para metodos alternativos de instalación, busca www.BenchSolution.com o llame 1-866-223-6247

IDENTIFICADOR DE TORNILLERÍA Y LISTA DE PIEZAS

ID	N.º DE PIEZA	DESCRIPCIÓN	CANT.	<input type="checkbox"/>	VISUAL Las ilustraciones son sólo para efectos visuales y no representan ni el tamaño ni el color real de las piezas o sujetadores.
1	BS000058	Cubierta de madera dura	1		
2	BS000075	Bisagra	3		
3	BS000077	Soporte de pared horizontal	1		
4	BS000059	Soportes de pared verticales	2		
5	BS000040	Conjunto de la pata inferior	2		
6	BS000041	Conjunto de la pata superior	2		
7	BS000079	Marco derecho	1		

ID	N.º DE PIEZA	DESCRIPCIÓN	CANT.	<input type="checkbox"/>	VISUAL Las ilustraciones son sólo para efectos visuales y no representan ni el tamaño ni el color real de las piezas o sujetadores.
8	BS000080	Marco izquierdo	1		
9	BS000108	Marco derecho con seguro	1		
10	BS000107	Marco izquierdo con seguro	1		
11	BS000105	Mango derecho	1		
12	BS000106	Mango izquierdo	1		
SUJETADORES					
13	BS000112 Modelo QW00	Sujetador de panel de pared	40		
14	BS000061	Tornillo de 3/8" x 2 1/2"	2		
15	BS000062	Tornillo de 3/8" x 3"	2		
16	BS000063	Tornillo de 3/8" x 3 3/8"	2		

ID	N.º DE PIEZA	DESCRIPCIÓN	CANT.	<input type="checkbox"/>	VISUAL Las ilustraciones son sólo para efectos visuales y no representan ni el tamaño ni el color real de las piezas o sujetadores.
17	BS000064	Tornillo de cabeza plana de 3/8" x 2 1/4"	6		
18	BS000065	Tornillo de cabeza plana de 3/8" x 1 3/8"	8		
19	BS000066	Tornillo de cabeza plana de 3/8" x 3 1/4"	2		
20	BS000067	Tornillo de desfase de cabeza hexagonal	8		
21	BS000068	Tuerca hexagonal autobloqueante	24		
22	BS000070	Arandela plana de 1"	8		
23	BS000110	Arandela plana de 3/4"	8		
24	BS000071	Tornillo hexagonal de 1/2" x 9/16"	2		
25	BS000086	Espaciador de mangos	2		
26	BS000088	Tapa del extremo del soporte de pared	2		
27	BS000087 Modelo QW00	Panel de pared	3		
28	BS000111 Modelo QW00	Moldura del panel de pared	2		
29	BS000113	Llave Allen de 7/32" (se usa para apretar 17, 18 y 19)	1		
30	BS000114	Broca de 5/32". Úsela para hacer previamente los orificios del artículo 20	1		



Instrucciones de seguridad

NO LEER Y CUMPLIR LAS INSTRUCCIONES PUEDE DAR COMO RESULTADO LESIONES O DAÑOS MATERIALES GRAVES Y ANULARÁ LA GARANTÍA.

El propietario debe asegurarse de que la tornillería del banco quede firme para la operación segura y adecuada del mecanismo de plegado del banco.

Para garantizar su seguridad, no intente ensamblar este sistema sin leer y seguir cuidadosamente las instrucciones. Revise toda la caja y dentro de todo el material de empaçado en busca de piezas o material de instrucciones adicionales. El ensamblado adecuado y completo es esencial para la instalación adecuada y reducirá el riesgo de accidentes o lesiones. Existe una alta probabilidad de riesgo o lesiones si el sistema no se instala, mantiene y opera correctamente.

La mayoría de las lesiones son causadas por el uso incorrecto o por no seguir las instrucciones.

INSTRUCCIONES DE ENSAMBLADO

ANTES DE EMPEZAR EL ENSAMBLADO: Identifique e inventaríe todas las piezas usando la lista de comprobación de las listas de piezas. Si falta alguna pieza, llame al Departamento de Servicio al Cliente antes de proceder a la instalación.



ADVERTENCIA: Este banco de trabajo debe montarse con seguridad en montantes de madera de pared * en un muro vertical plano con montantes de madera correctamente espaciados. Los montantes de madera de la pared * deben ser capaces de soportar un peso considerable y poder contener el banco de trabajo plegable.

El espaciado de montantes debe ser de 16" o 24" entre centros. El soporte horizontal para pared tiene 4 orificios de montaje para ajustarse a un espaciado de 16" y 3 orificios para ajustarse a uno de 24". Las ilustraciones muestran aspectos de los montantes de madera de pared sólo * para efecto visual. El banco se puede montar en montantes de madera en una pared* terminada.

El banco sólo se garantiza si está correctamente montado en **montantes de madera de pared** *con la tornillería que se proporciona. Cualquier otro ensamblaje se considera como una instalación personalizada y no está cubierto en este manual de instrucciones, por lo que libera al fabricante de cualquier responsabilidad legal por lesiones.

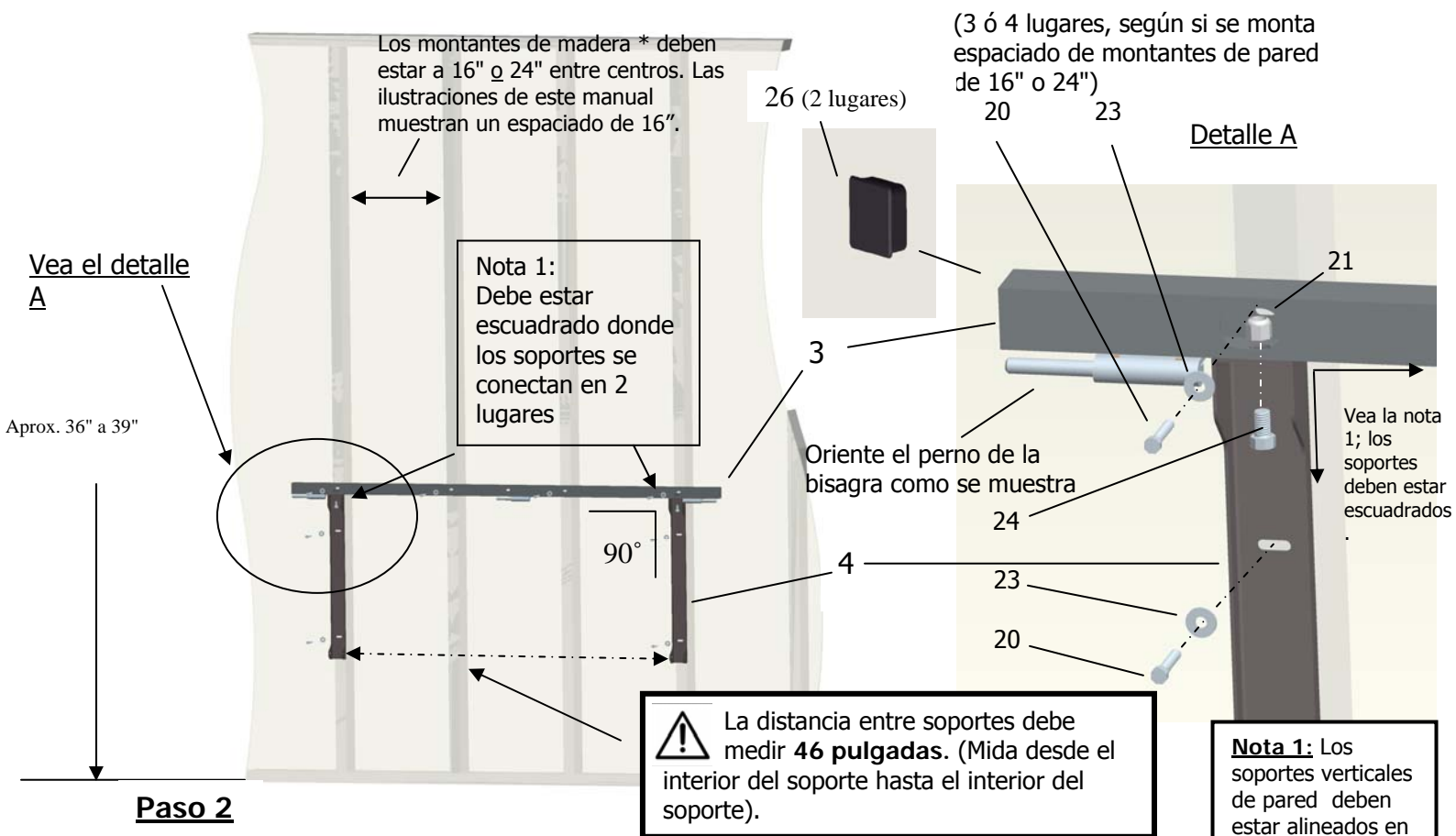
Lea y comprenda todas las instrucciones, notas, advertencias y precauciones antes de comenzar

*Para metodos alternativos de instalación, busca www.BenchSolution.com o llame 1-866-223-6247.

Paso 1

Determine en la pared la altura deseada de la superficie del banco de trabajo (aproximadamente de 36" a 39" del piso). Marque en la pared la altura deseada para designar la colocación del soporte horizontal de pared 3 (los orificios de montaje estarán aproximadamente $\frac{3}{4}$ de pulgada debajo de la altura que se desea para la superficie).

Utilice un localizador de montantes para encontrar los montantes de madera de la pared * y marque sus ubicaciones. Se recomienda que use una lezna o un clavo de acabado para asegurarse de la ubicación del montante. Perfore previamente agujeros en el centro del montante con la broca de 5/32". Encuentre el soporte horizontal de pared 3 incluye tapones para el terminal y fíjelo en los montantes de madera * con 20 y 23, cuidando de nivelar el soporte. **Si el soporte horizontal de pared no está nivelado, el conjunto de las patas no funcionará correctamente.**



Paso 2

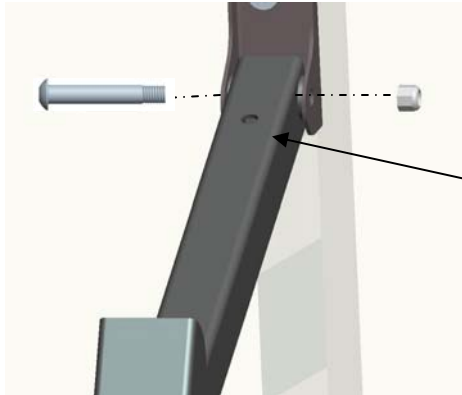
Encuentre los soportes verticales de pared 4 y fíjelos al soporte horizontal de pared con 21 y 24, como se muestra en el Detalle A. No apriete totalmente la tuerca hasta que la tornillería que fija el soporte a los montantes de madera de la pared * esté en su sitio y el soporte esté posicionado verticalmente. Perfore los orificios previamente en los montantes. Fije los soportes al montante de madera de la pared * con 20 y 23, 4 lugares. Apriete toda la tornillería.

*Para metodos alternativos de instalación, busca www.BenchSolution.com o llame 1-866-223-6247.

Nota 1: Los soportes verticales de pared deben estar alineados en posición vertical y escuadrados con el soporte horizontal de pared para asegurarse de que el conjunto de las patas funcione correctamente.

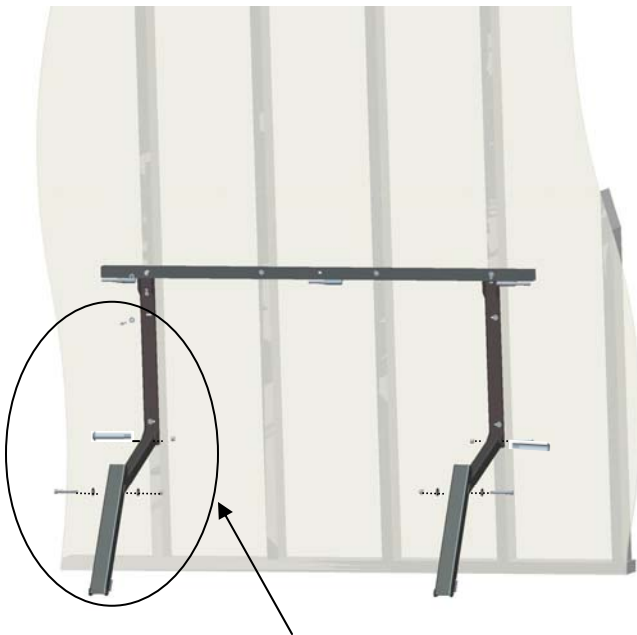
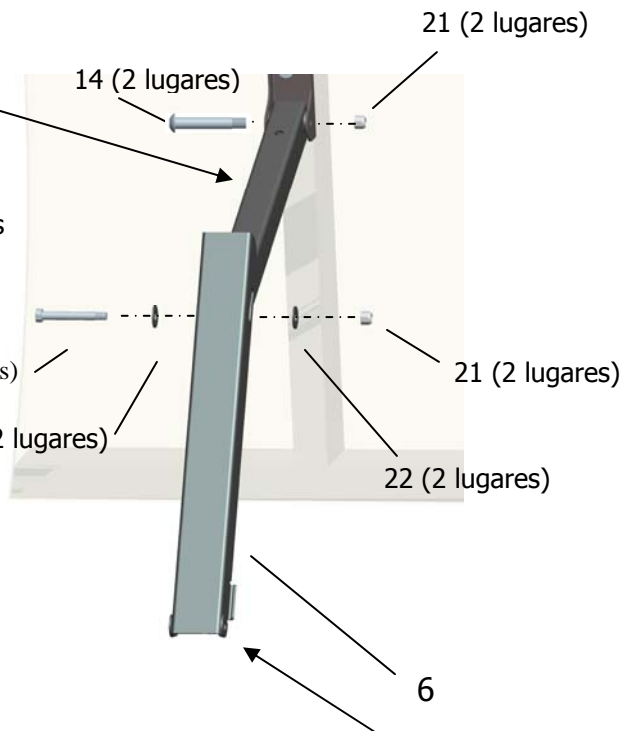
Paso 3

Encuentre el conjunto de la pata inferior 5. Oriente el conjunto de la pata inferior como se muestra en el Detalle B, y fíjelo al soporte vertical de la pared con 14 y 21. Fije el conjunto de la pata inferior restante repitiendo este paso. Los sujetadores deben estar orientados como se muestra. La tuerca debe insertarse desde el "interior" del banco en ambas patas.



Detalle B (pata izquierda)

El elemento de la pata inferior 5 debe instalarse con el agujero más cercano al soporte de pared.

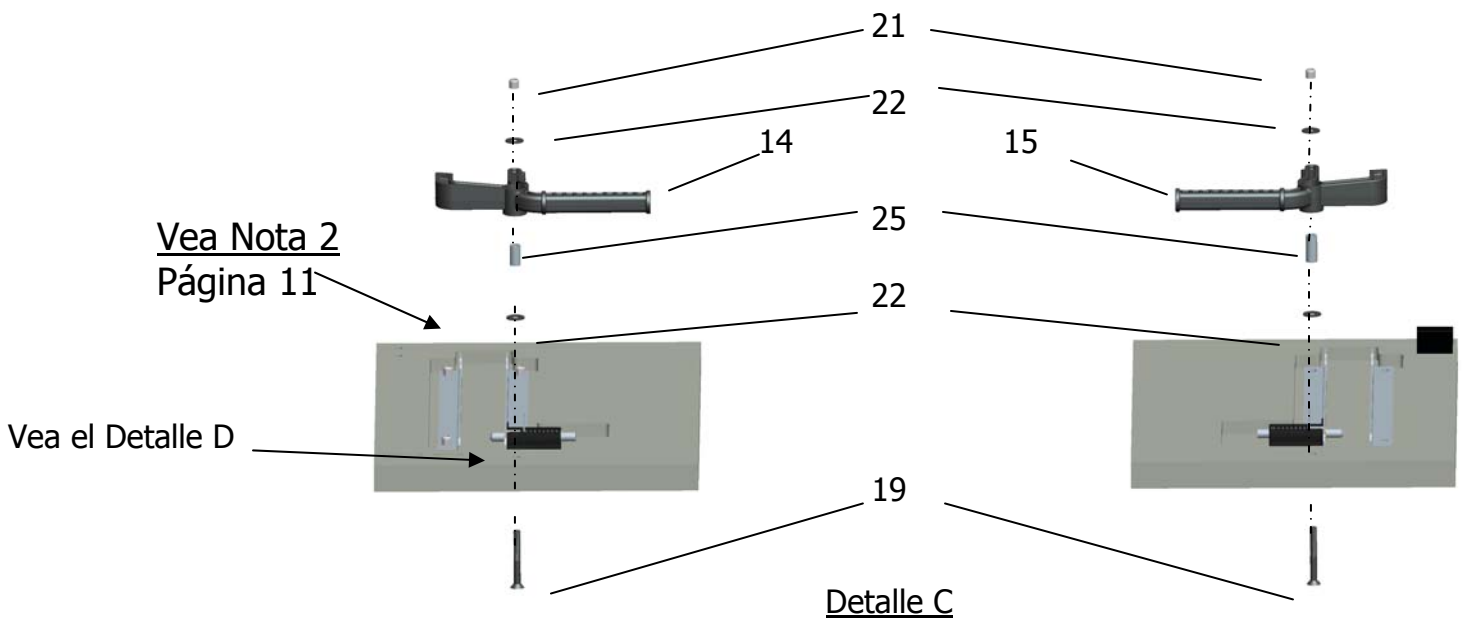
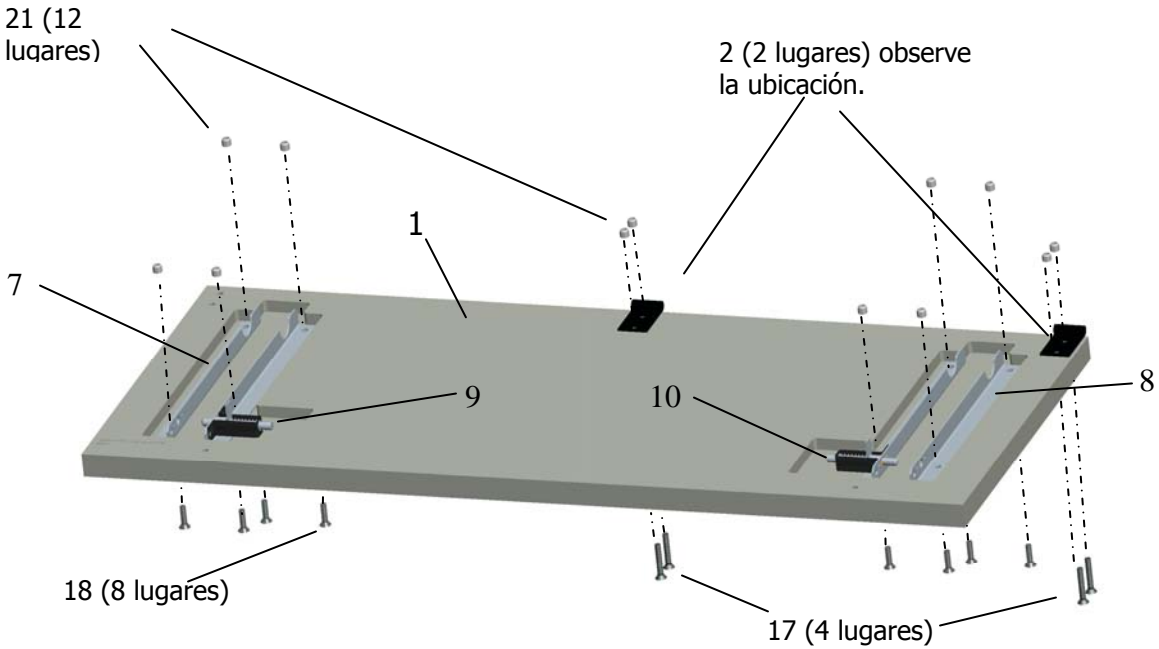


Vea el detalle B

Encuentre la pata superior 6 y oriéntela como se muestra en el Detalle B. Alinee los orificios de montura como se muestra con la pata inferior que descansa en la pata superior. Fije la pata superior a la inferior con 15, 21 y 22. *El conjunto de las patas debe permanecer sin fijarse a la cubierta de madera hasta después del Paso 6.*

Paso 4

Encuentre la cubierta de madera 1. Fije las dos bisagras 2 a la cubierta donde se muestra con 17 y 21. La tercera bisagra se utiliza como bisagra de "bloqueo" y se instalará después de que la cubierta se haya montado en el soporte de pared. Fije los marcos 7, 8, 9 y 10 a la cubierta de madera como se muestra con 18 y 21. Las piezas no son intercambiables y deben estar orientadas como se muestra. Fije los mangos como se muestra en el Detalle C & D.

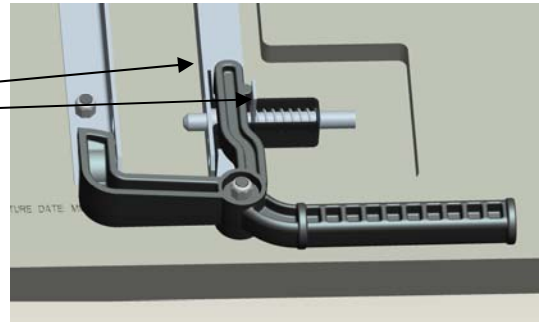


Nota 2

Al instalar los mangos, retraiga el perno de seguridad para que el mango

descanse entre el marco y la placa del perno.

Detalle D



Paso 5

Fije la cubierta al soporte horizontal de pared deslizando las bisagras en su sitio. La cubierta de madera pesa aproximadamente 46 lbs. (Para facilitar el montaje, se recomienda que dos adultos realicen este paso).

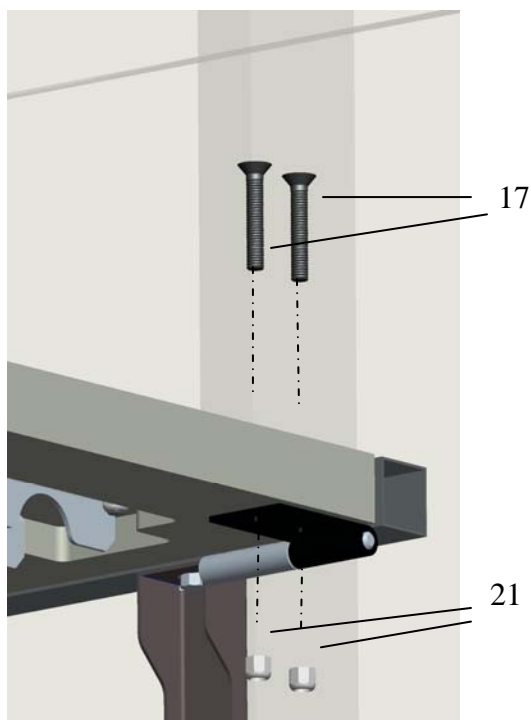
Alinee las bisagras con los pernos y deslícelas en su sitio.



Advertencia: Durante el ensamblado y después de que éste se haya completado, estas ubicaciones crearán puntos donde se pueden sufrir pellizcos al bajar la cubierta del banco a su posición plegada. Para evitar lesiones, deje libres estas áreas antes de realizar esta operación.

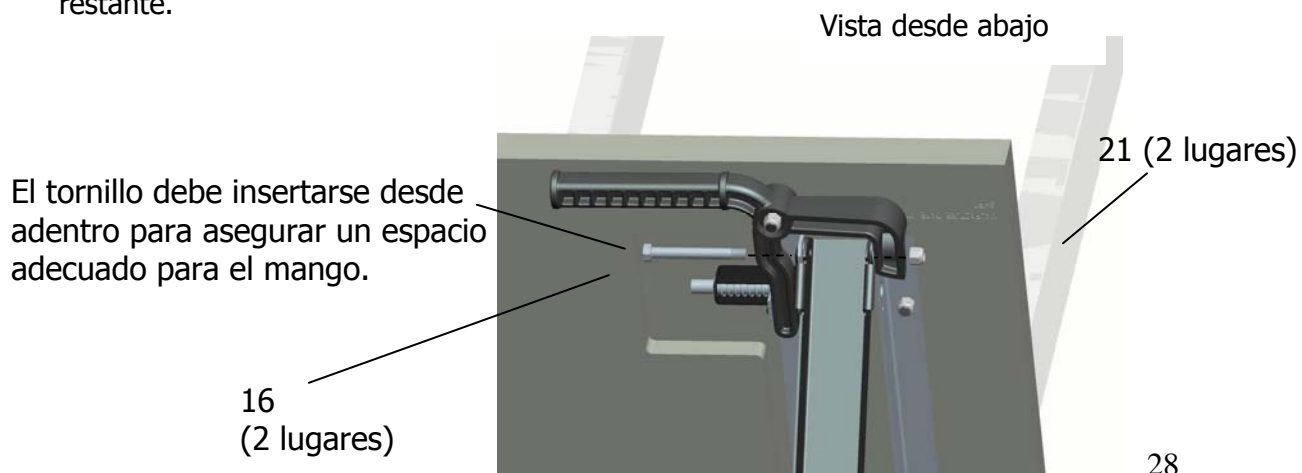
Paso 6

Deslice la bisagra bloqueante 2 en el perno de la bisagra y fíjela en su sitio con 17 y 21.



Paso 7

Fije el conjunto de las patas a la cubierta del banco apoyando primero el banco en posición recta lejos de la pared. Alinee los orificios de montaje de la pata superior con los orificios de montaje de los marcos. (En función de la posición de la cubierta del banco, es posible que deba retraer el perno de seguridad para dejar espacio para la pata). Fije el conjunto de la pata al marco con 16 y 21. Repita este paso con la pata restante.

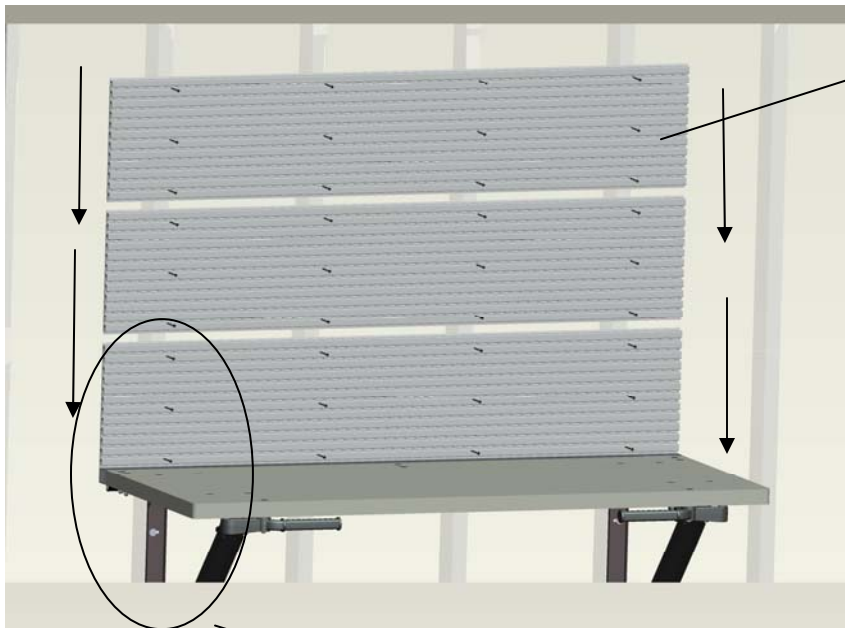


Paso 8 (Modelo QW00 panel de pared incluido)


Si esta montando modelo QW01 proceda a la pagina 14 para instrucciones de operativo.

Paso 8

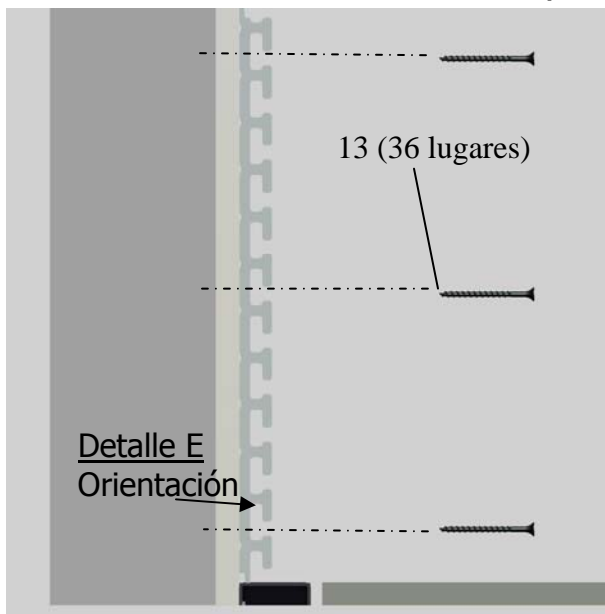
Encuentre los paneles 27 de IdealWall™ y coloque cada unidad sobre el banco, oriéntela como se muestra en el Detalle E y fije en su sitio, clavando el sujetador 13 en los montantes de madera. * Para la máxima capacidad de carga, fije cada panel con 12 sujetadores por unidad.



27

 **IdealWall™** Designado para soportar herramienta de mano. Colgando objetos mas pesados de sugerido, puede causar daño. Al material y puede causar herida, y termine la garantía de fabricante. Para una máxima capacidad de carga, introduzca todos los sujetadores en montantes de madera *como se muestra en las ilustraciones.

Vea el Detalle E (vista lateral)



*Para metodos alternativos de instalación, busca www.BenchSolution.com o llame 1-866-223-6247



Instrucciones de operación:

¡¡No seguir las instrucciones de operación puede ocasionar la muerte o lesiones!!

Para bajar el banco a su posición plegada:

5. Cerciórese de que la cubierta del banco esté libre de objetos.
6. Asegúrese de que el área debajo del banco esté libre de personas, mascotas y objetos.
7. Póngase de pie frente al banco y alístese a soportar la cubierta de madera dura de 46 lbs. **PRECAUCIÓN: No permita que el banco caiga libremente a la pared.**

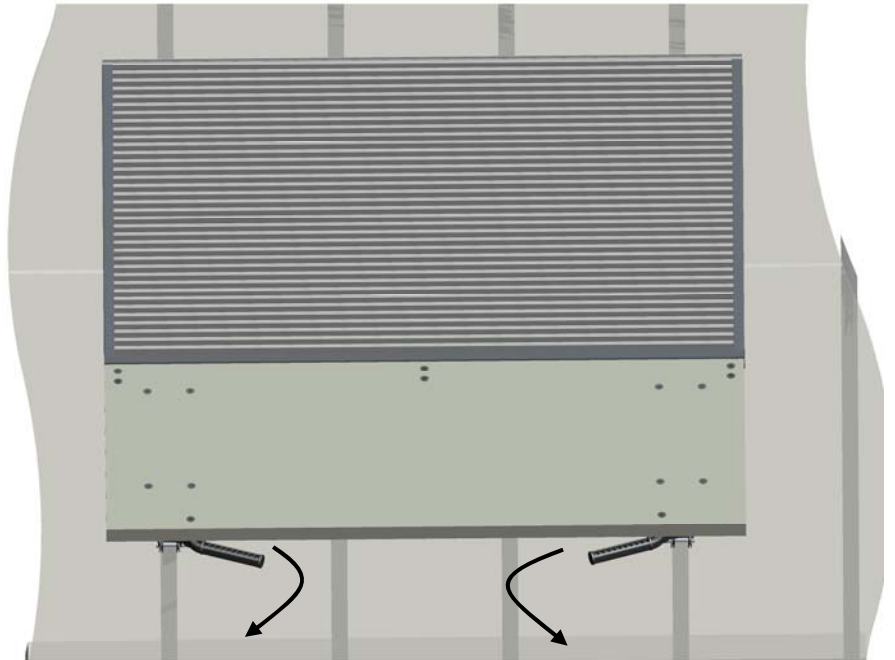
Tome ambos mangos simultáneamente y tire hacia usted. Esta acción permite que los pernos de seguridad liberen los marcos; las patas se abatirán para permitir que se baje el banco a su posición plegada. **ADVERTENCIA:** Esta acción crea puntos de pellizco. Baje lentamente la cubierta.

Para levantar el banco a la posición levantada:

ADVERTENCIA: Las patas contienen puntos de pellizco.

3. Póngase de pie frente al banco, aferre la cubierta del banco y levántela a la posición horizontal hasta que las patas se bloqueen con seguridad en su sitio.
4. **ADVERTENCIA:** Compruebe para asegurarse de que las patas estén enclavado completamente y los pernos de seguridad estén en su sitio antes de usar el banco.

Cuando está correctamente instalado en montantes de madera * adecuados, el banco de trabajo plegable Bench Solution™ está diseñado para soportar 400 lbs. de un cargo fijo distribuido sobre 24 pulgadas a 60 pulgadas. Colocar más de 400 lbs en la cubierta del banco puede causar que éste se desprenda de la pared y ocasione lesiones personales o daños materiales. **¡Nunca coloque más de 400 lbs en la cubierta del banco!**



Si el banco no funciona correctamente, debe comunicarse con el departamento de servicio al cliente antes de intentar usarlo.

SERVICIO AL CLIENTE (1-866-223-6247) www.BenchSolution.com

*Para metodos alternativos de instalación, busca www.BenchSolution.com o llame 1-866-223-6247

Mantenimiento del sistema:

La vida de su banco de trabajo plegable Bench Solution™ depende de muchas variables. El clima, la exposición a sustancias químicas y **el uso excesivo o el mal uso** pueden contribuir al deterioro de la superficie de madera. Aunque la superficie de madera es duradera y está diseñada para soportar condiciones normales, el mantenimiento adecuado ampliará la vida de su banco. Como consumidor y propietario de Bench Solution, **debe** tomar las siguientes medidas preventivas:

4. Compruebe que el banco no tenga tornillería floja, desgaste excesivo y signos de corrosión.
5. Compruebe todas las tuercas y tornillos una vez al mes. Si hay alguno suelto, apriételo.
6. Compruebe todas las piezas para detectar un desgaste excesivo y roturas. De ser necesario, reemplace cualquier pieza o tornillería que se haya desgastado o dañado mediante el uso. Comuníquese con nuestro Departamento de Servicio al Cliente para **todas las piezas y sujetadores de reemplazo.**

Garantía del banco de trabajo plegable Bench Solution™

GARANTÍA LIMITADA POR UN AÑO

GARANTÍA: Bench Solution™ fabricado por Bench Solution Inc. está garantizado como libre de defectos en materiales y mano de obra durante 12 meses desde la fecha de la compra original por parte del comprador original, con una prueba de la compra. En el poco probable caso de que consideremos que el producto está defectuoso, Bench Solution Inc. será responsable del reemplazo SOLAMENTE de la pieza defectuosa. No se reembolsará ningún costo por mano de obra o instalación. Los daños debidos al transporte y manejo, la instalación inadecuada, el maltrato (intencional o accidental) o el desgaste normal NO están cubiertos por esta garantía. No hay ninguna otra garantía implícita o explícita más allá de los términos de esta garantía expresa escrita.

La operación adecuada de este producto depende del cumplimiento del Manual del propietario y las Instrucciones de ensamblado referentes a la instalación, operación y mantenimiento correctos. No cumplir estrictamente con esas instrucciones anulará la garantía en su totalidad.

Debe conservar su recibo o número de pedido originales para estar cubierto por la garantía.

Para registrar su garantía, visite nuestro sitio Web en <http://Benchsolution.com/WarrantyRegistration.html> o rellene la tarjeta postal adjunta.

Información de contacto: Servicio al Cliente 1-866-223-6247

Sitio Web: www.BenchSolution.com